


61850400	DATA SHEET	
Valid from: 13.04.2026	CABLE TIE BASIC	

The all-purpose CABLE TIE BASIC made of polyamide, is suitable for a wide range of applications thanks to its high tensile strength.

Material: Polyamide 6.6

Technical features:

Bundle diameter 2 up to 240 mm
 Band width 2,5 up to 9 mm
 Tensile strength 80 up to 800 N



Additional features:

Fire classification V2 acc. to UL 94

Temperature range: -40°C up to +85°C

Colour: Nature
 Black



Approbation:



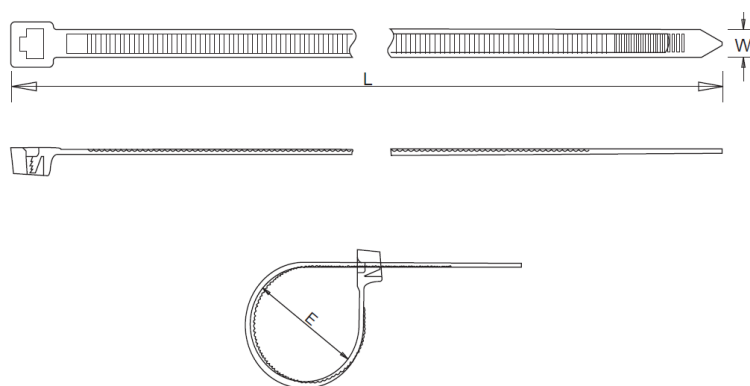
E-File E352714

Norm Reference:



EN 62275


(Cable ties marked with an * have been tested in accordance with EN 62275)



Please refer to our current catalogue for further details.

Our laboratory will be happy to advise you on resistance to aggressive media or specific oils.

Creator: PDP Released: PDP	Document: DB61850400DE Version: 00	Page 1 of 2
-------------------------------	---------------------------------------	-------------

61850400	DATA SHEET	
Valid from: 13.04.2026	CABLE TIE BASIC	

Dimension table:

Part No.	Bundle diameter E mm	Dimensions mm		Tensile strength N
		Length l	Width w	
Nature				
61850400	2 - 21	100	2,5	80
61850405	2 - 35	150	2,5	80
61850410	2 - 41	160	2,5	80
61850415	2 - 50	200	2,5	80
61850420	3 - 33	140	3,6	180
61850425	3 - 50	200	3,6	180
61850430	3 - 83	300	3,6	180
61850435	3 - 02	370	3,6	180
61850440	3 - 40	160	4,8	222
61850445	3 - 50	200	4,8	222
61850450	3 - 83	300	4,8	222
61850455	3 - 108	380	4,8	222
61850460	3 - 66	250	7,6	530
61850465	4 - 83	300	7,6	530
61850470	4 - 102	380	7,6	530
61850475	4 - 130	450	7,6	530
61850480	4 - 155	550	7,6	530
61850485	4 - 215	750	7,6	666
61850490	4 - 240	800	9,0	800
Black				
61850495	2 - 21	100	2,5	80
61850500	2 - 35	150	2,5	80
61850505	2 - 41	160	2,5	80
61850510	2 - 50	200	2,5	80
61850515	3 - 33	140	3,6	180
61850520	3 - 50	200	3,6	180
61850525	3 - 83	300	3,6	180
61850530	3 - 02	370	3,6	180
61850535	3 - 40	160	4,8	222
61850540	3 - 50	200	4,8	222
61850545	3 - 83	300	4,8	222
61850550	3 - 108	380	4,8	222
61850555	3 - 66	250	7,6	530
61850560	4 - 83	300	7,6	530
61850565	4 - 102	380	7,6	530
61850570	4 - 130	450	7,6	530
61850575	4 - 155	550	7,6	530
61850580	4 - 215	750	7,6	666
61850585	4 - 240	800	9,0	800

* Testing of the maximum loop tensile strength

Creator: PDP Released: PDP	Document: DB61850400DE Version: 00	Page 2 of 2
-------------------------------	---------------------------------------	-------------