


54 114 100	<b>DATA SHEET</b>	
Valid from: 02.12.2021	<b>SKINTOP® HYGIENIC NPT / HYGIENIC-R NPT</b>	

The SKINTOP® HYGIENIC NPT / HYGIENIC-R NPT is a high quality cable gland that is suitable for hygienic critical areas. The innovative hygienic design prevents food machines, facilities or component from risk of contamination. The cable gland is suitable for use in applications where mechanical and chemical stability to very aggressive media is required and offers quality and safety in food, pharmaceutical and chemical industry.



**Material:**

Gland body	Stainless steel – V4A (1.4404 / 316L)
Cap nut	Stainless steel – V4A (1.4404 / 316L)
Insert with lamellar cage	Polyamide
Seals	Special elastomer – conform to FDA 21 CFR 177.2600

**Technical features:**

Connecting thread	NPT 1/4" – NPT 3/4" acc. to ASME B1.20.1-2013	
Protection class	IP68 – 10 bar, test acc. to EN 60529 IP69 acc. to EN 60529	
NEMA Type Rating	Type 1, Type 2, Type 4X, Type 6, Type 12	
Strain relief	Category A	
Design	HYGIENIC NPT	Standard
	HYGIENIC-R NPT	with reducing sealing ring (for smaller cable diameters)
Temperature range	-20 °C up to +100 °C	

**Additional features:**

High functional safety  
Optimal strain relief  
Wide and variable clamping range  
Hygienic design  
Product zone (food)

**Approbation:**



UL File Nr. 79903  
(Test in acc. to UL514B)



TYPE EL – Class I AUX



**Reference standard:**

**DIN EN ISO 14 159**

Safety of machinery - Hygiene requirements for the design of machinery

**DIN EN 1672-2**


Food processing machinery - Basic concepts – Part 2: Hygiene requirements



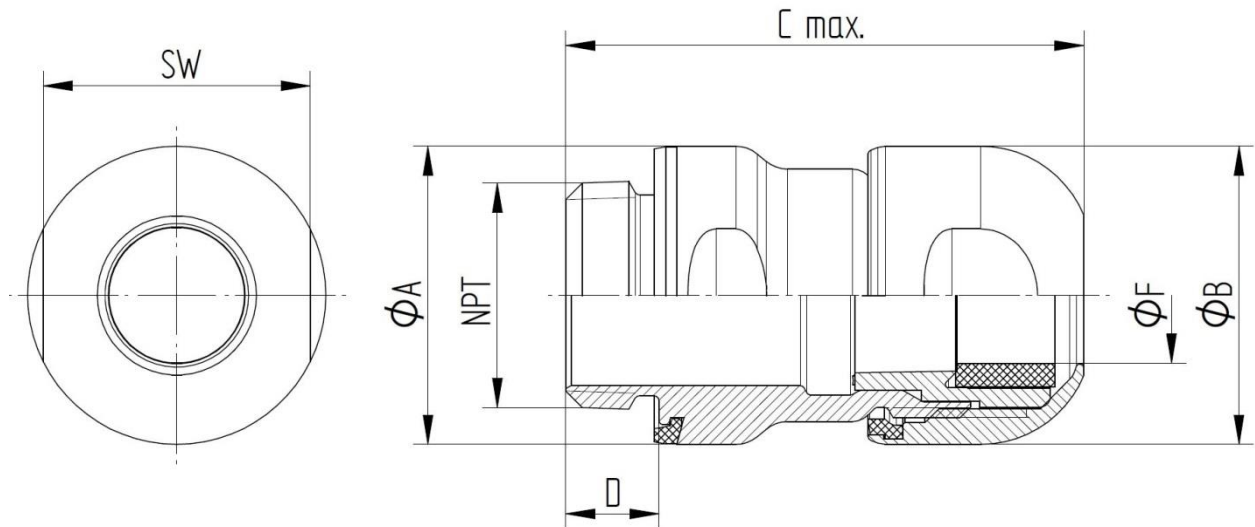
**Suitable accessories:**

SKINDICHT® SM-NPT

Creator: VACH1/PDP Released: IVSE1/PDP	Document: DB54114100EN Version: 02	Page 1 of 2
---	---------------------------------------	-------------

54114100	<b>DATA SHEET</b>	
Valid from: 02.12.2021	<b>SKINTOP® HYGIENIC NPT / HYGIENIC-R NPT</b>	

**Technical drawings:**



**SKINTOP® HYGIENIC NPT**

Article number	Article description	NPT	SW [mm]	Ø A [mm]	Ø B [mm]	C max. [mm]	D [mm]	Ø F Clamping range [mm]
54114100	SKINTOP HYGIENIC NPT 1/4"	1/4"	16	18,8	18,8	39,5	7,0	4,0-6,0
54114110	SKINTOP HYGIENIC NPT 3/8"	3/8"	20	22,8	22,8	42,5	7,8	6,5-9,0
54114120	SKINTOP HYGIENIC NPT 1/2"	1/2"	24	26,8	26,8	47	8,4	9,0-12,0
54114130	SKINTOP HYGIENIC NPT 3/4"	3/4"	29	31,8	31,8	50	8,8	11,5-15,5

**SKINTOP® HYGIENIC-R NPT**

Article number	Article description	NPT	SW [mm]	Ø A [mm]	Ø B [mm]	C max. [mm]	D [mm]	Ø F Clamping range [mm]
54114200	SKINTOP HYGIENIC-R NPT 1/4"	1/4"	16	18,8	18,8	39,5	7,0	3,0-4,5
54114210	SKINTOP HYGIENIC-R NPT 3/8"	3/8"	20	22,8	22,8	42,5	7,8	4,5-7,0
54114220	SKINTOP HYGIENIC-R NPT 1/2"	1/2"	24	26,8	26,8	47	8,4	7,0-10,0
54114230	SKINTOP HYGIENIC-R NPT 3/4"	3/4"	29	31,8	31,8	50	8,8	9,0-12,5

For more information please see our current catalogue. Please do not hesitate to contact our laboratory if there are any questions regarding resistance against aggressive agents and special oil.

Creator: VACH1/PDP Released: IVSE1/PDP	Document: DB54114100EN Version: 02	Page 2 of 2
---	---------------------------------------	-------------