

7433507951	<b>DATA SHEET</b>	
Valid from: 28.04.2026	<b>ETHERLINE ACCESS U05T-E-T</b>	

## Description

- Fast Ethernet Network-Switch (10/100BaseT(X)), unmanaged
- Ports: 5x RJ45
- Suitable for harsh industrial environment (Protection class IP40)
- Mean Time Before Failure (MTBF) of 300,000 hours.



## General characteristics

Interfaces & buttons	<b>RJ45 Port:</b> 10/100BaseT(X) auto-detection, full-/ halfduplex-mode and MDI/MDI-X adaptive
Switch properties	MAC- tablesize: 2 K packet-buffersize: 728 Kb
Temperature range	operating temp.: -40°C to +75°C (-40°F to 167°F) storage temp.: -40°C to +75°C (-40°F to 167°F)
Relative humidity	5% to 95 % (non-condensing)
Standards	IEEE 802.3i (10BaseT) IEEE 802.3u (100BaseTX)
Processing type	Store and Forward
MTBF (mean time between failures)	300,000 Hours acc.IEC 62506

## Power requirements

Connection	1 removable 3- pole terminal block
Input voltage	12-52V DC
Power Consumption (max.)	0.72 W
Input current (max.)	30 mA @24 VDC
Overload current protection	support
Reverse polarity protection	support
Redundancy protection	support

## Physical properties

Housing	metal
IP class	IP40
Weight	0.21 kg

Creator: NITA1/PDIC Released: STKU3/PDP	Dokument: DB7433507951EN Version: 02	Page 1 of 4
--	---	-------------

7433507951	<b>DATA SHEET</b>	
Valid from: 28.04.2026	<b>ETHERLINE ACCESS U05T-E-T</b>	

Installation

DIN-rail mounting

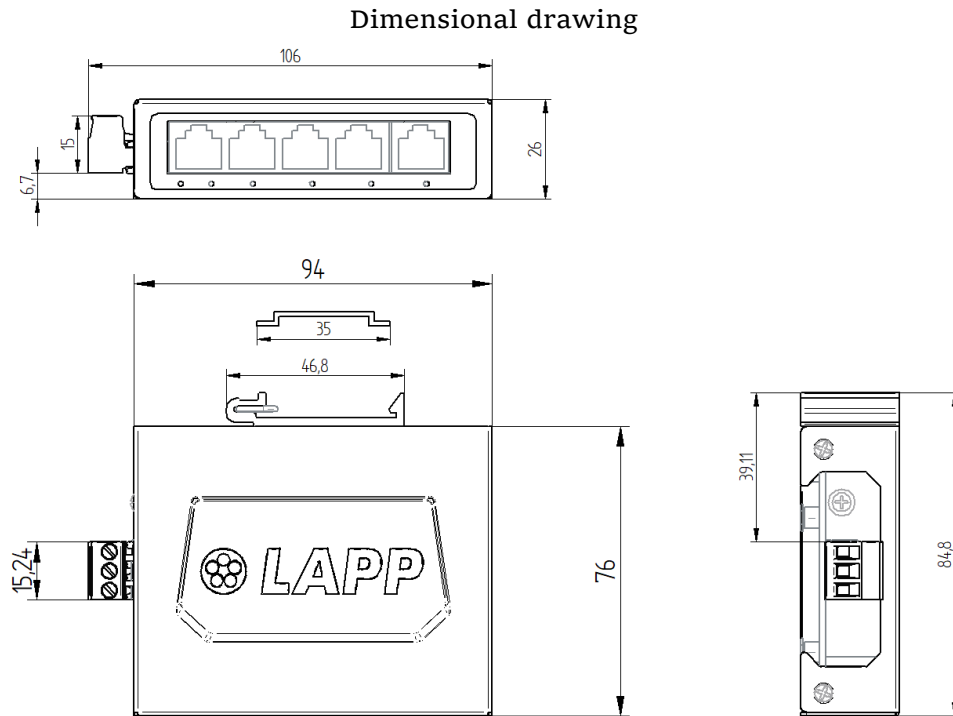
Creator: NITA1/PDIC	Dokument: DB7433507951EN	Page 2 of 4
Released: STKU3/PDP	Version: 02	

We reserve all rights according to DIN ISO 16016.

PD 0019/05\_04.18EN

7433507951	<b>DATA SHEET</b>	
Valid from: 28.04.2026	<b>ETHERLINE ACCESS U05T-E-T</b>	

## Technical drawing



## Standards and approvals

EMC	EN 55035:2017/A11:2020/CISPR 16-2
EMI	IEC 61000-6-3, IEC 61000-6-1, FCC CFR47 Part15B
EMS	IEC 61000-4-2 ESD: contact: 6kV / air: 8kV
	IEC 61000-4-3 RS: 80Mhz to 1GHz: 10V/m
	IEC 61000-4-4 EFT/Burst: Power: 2kV / Signal: 1kV
	IEC 61000-4-5 Surge: Power: 2kV / Signal: 1kV
	IEC 61000-4-6 CS: 10V (150 kHz – 80 MHz)
Vibration	according IEC 60068-2-6
Shock	according IEC 60068-2-27
Free fall	according IEC 60068-2-32
Approvals	CE FCC


## Application range

Automation, industrial machinery and plant engineering

Creator: NITA1/PDIC Released: STKU3/PDP	Dokument: DB7433507951EN Version: 02	Page 3 of 4
--	---	-------------

We reserve all rights according to DIN ISO 16016.

PD 0019/05\_04.18EN

7433507951	<b>DATA SHEET</b>	
Valid from: 28.04.2026	<b>ETHERLINE ACCESS U05T-E-T</b>	

### Note

Photographs are not to scale and do not represent detailed images of the respective products.

Creator: NITA1/PDIC Released: STKU3/PDP	Dokument: DB7433507951EN Version: 02	Page 4 of 4
--	---	-------------

We reserve all rights according to DIN ISO 16016.

PD 0019/05\_04.18EN