


7433500043	<b>DATA SHEET</b>	
Valid from: 22.01.2026	<b>ETHERLINE® DRIVECLIQ 6SL3060</b>	

## Description

- Pre-assembled flexible Ethernet cable
- Complies with the open DRIVE-CLiQ® system interface (corresponds to 6SL3060)
- Straight RJ45 to straight RJ45
- Cat. 5e



## Article variants

article-no.	description	length (mm)
7433500043	ETHERLINE® DRIVECLIQ 6SL3060 0.11	110 ± 30
7433500044	ETHERLINE® DRIVECLIQ 6SL3060 0.16	160 ± 30
7433500045	ETHERLINE® DRIVECLIQ 6SL3060 0.21	210 ± 30
7433500046	ETHERLINE® DRIVECLIQ 6SL3060 0.26	260 ± 30
7433500047	ETHERLINE® DRIVECLIQ 6SL3060 0.31	310 ± 30
7433500048	ETHERLINE® DRIVECLIQ 6SL3060 0.36	360 ± 30
7433500049	ETHERLINE® DRIVECLIQ 6SL3060 0.41	410 ± 30
7433500050	ETHERLINE® DRIVECLIQ 6SL3060 0.6	600 ± 30
7433500051	ETHERLINE® DRIVECLIQ 6SL3060 0.95	950 ± 30
7433500052	ETHERLINE® DRIVECLIQ 6SL3060 1.2	1200 ± 30
7433500053	ETHERLINE® DRIVECLIQ 6SL3060 1.45	1450 ± 30
7433500065	ETHERLINE® DRIVECLIQ 6SL3060 5	5000 ± 30
7433500066	ETHERLINE® DRIVECLIQ 6SL3060 2.8	2800 ± 30

## General characteristics

Design	RJ45 connector
Coding	TIA-568A/B
Number of contacts	4
Protection class	IP 20
Schielding	S/FTP
Temperature rating (operation)	-25 up to +60 °C
Mating cycles	≥ 200
Retention force	30 N
conformities	RoHS and REACH compliant UL 1863 UL 444

Creator: JUKL2/BU EPIC Released: IVSE1/BU EPIC	Document: DB7433500043EN Version: 00	Page 1 of 2
---	---	-------------

### Electrical properties

Rating voltage	125 V AC
Rating current	1 A
Pollution degree	1
Insulation resistance	≥ 100 MΩ
Contact resistance of connector	≤ 10 mΩ
Dielectric strength	500 V AC (1min)

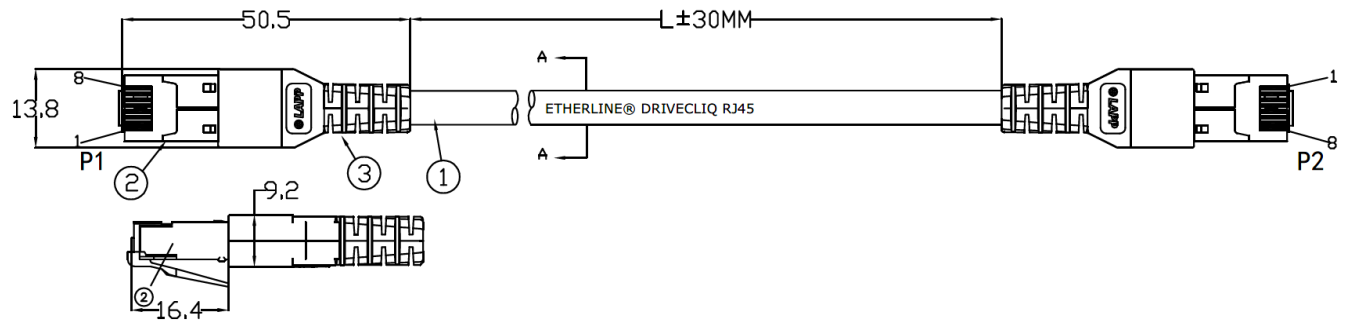
### Connector

Contacts	Brass, gold plated
Housing	PC, transparent
Overmolding	PVC

### Single core

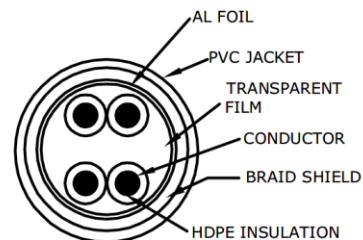
Design	2x2xAWG24
Material of conductor	copper
Material of core insulation	HDPE
Aluminium foil	yes
Shielding	Copper shielding mesh
Jacket	Ø 6.2mm, PVC

### Technical drawings



P1	Wire list	P2
W/BL 1		3 W/BL
BL 2		6 BL
W/OG 3		1 W/OG
OG 6		2 OG

cable cross section



### Note

The photographs are not to scale and are not detailed images of the respective products.