


10344300	<b>DATA SHEET</b>	
Valid from: 17.09.2018	<b>EPIC<sup>®</sup> MCS 8 RJ45 / MCB 8 RJ45</b>	

## Description

- The mixed assembly guarantees high flexibility. For applications in mechanical and plant engineering, for printing machines and slide-in technology.
- Assembly of individual connectors, suitable for different applications



## General Characteristics

Series	MC Module
Version	Male / Female (Article 10345300)
Number of Contacts	4 Power + 8 Data
Termination Methods	Power: crimp termination: 0.14 - 2.5 mm <sup>2</sup> , Data: IDC/piercing termination: Cat5, AWG 24-26
Temperature Range	-20°C to +85°C


## Mechanical Characteristics

Cycle of mechanical operation	100
-------------------------------	-----

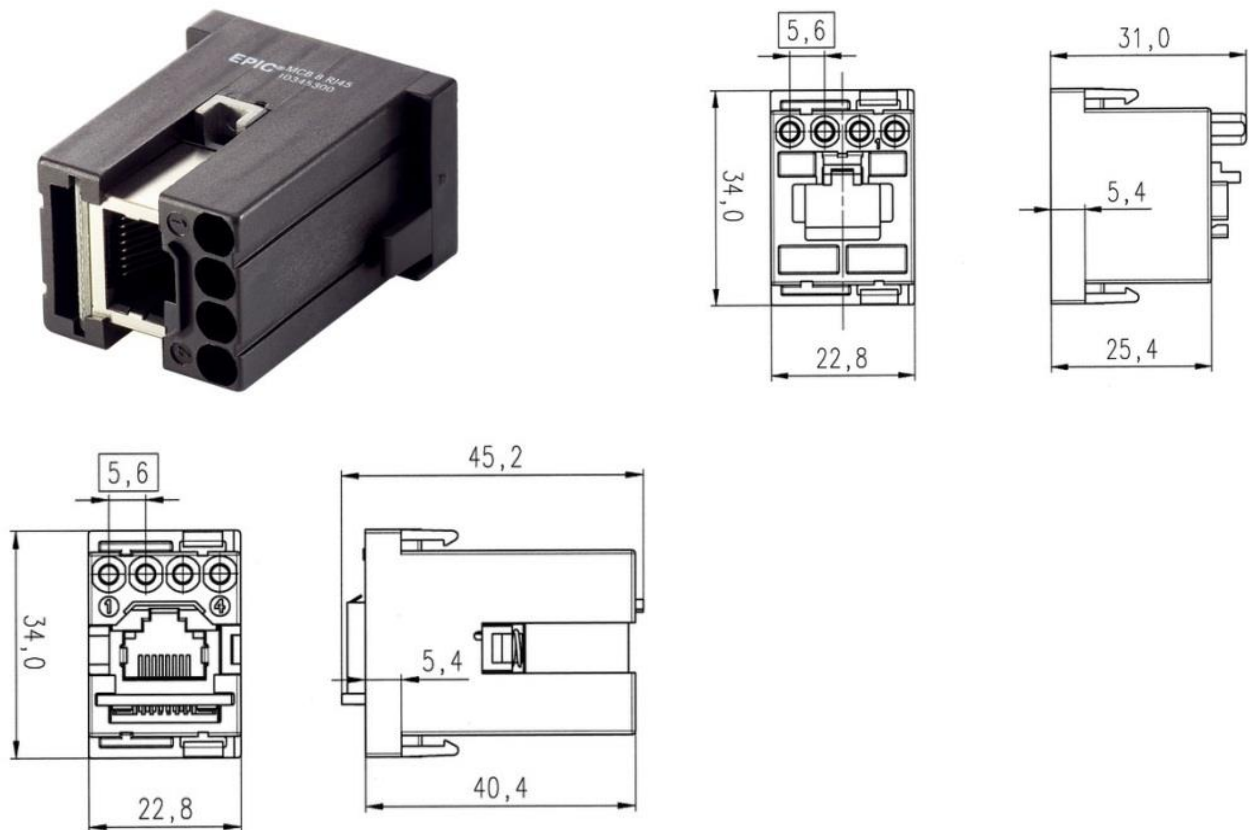
## Electrical Characteristics

Rated Voltage	max. 600V / max. 125V
Rated Current	max.10 A / max.1.5 A
Degree of Soiling	3

Creator: MANA2/PDP Released: IVSE1/PDP	Document: DB10344300EN Version: 02	Page 1 of 2
---	---------------------------------------	-------------

10344300	<b>DATA SHEET</b>	
Valid from: 17.09.2018	<b>EPIC<sup>®</sup> MCS 8 RJ45 / MCB 8 RJ45</b>	

### Technical Drawing



Automation



Industrial machinery and plant engineering



Wind Energy

### Info

Power and signal modules can be used together in one housing

### Application range

Plant engineering  
Control engineering

### Remark

Photographs are not to scale and do not represent detailed images of the respective products.

Creator: MANA2/PDP Released: IVSE1/PDP	Document: DB10344300EN Version: 02	Page 2 of 2
---	---------------------------------------	-------------