


|                           |                            |   |
|---------------------------|----------------------------|---|
| 22260107                  | <b>DATA SHEET</b>          |  |
| Valid from:<br>17.09.2018 | <b>AB-C4-M12FS-M16-0,5</b> |   |

## Description

- Sensor/Actuator flush-type socket, 4-pos., A-coded, M12 quick locking
- Front/screw mounting with M16 thread, with 0.5 m TPE litz wire, 4 x 0.34 mm<sup>2</sup>



## General characteristics

|                                    |   |
|------------------------------------|---|
| Number of poles                    | 4   |
| Connection type                    | Fixed connection  |
| Status indicator                   | No  |
| Coding                             | A-standard  |
| Degree of protection               | IP 67   |
| Inflammability class acc. to UL 94 | V0  |
| Ambient temperature (operation)    | -25 to +90 °C (-13 to 194 °F) (connector)<br>-25 to +85 °C (-13 to 185 °F) (cable fixed installation) |

## Electrical properties

|                                |          |
|--------------------------------|----------|
| Nominal voltage U <sub>N</sub> | 250 V    |
| Nominal current I <sub>N</sub> | 4 A      |
| Surge voltage category         | II       |
| Pollution degree               | 3        |
| Insulation resistance          | 20 mΩ*km |
| Contact resistance             | 3 mΩ     |

## Mechanical properties


### Connector

|                           |                               |
|---------------------------|-------------------------------|
| Contact, material         | CuZn                          |
| Contact surface, material | Au                            |
| Contact carrier, material | PA66 GF                       |
| Knurl, material           | Zinc die-cast (nickel-plated) |
| Sealing, material         | NBR                           |

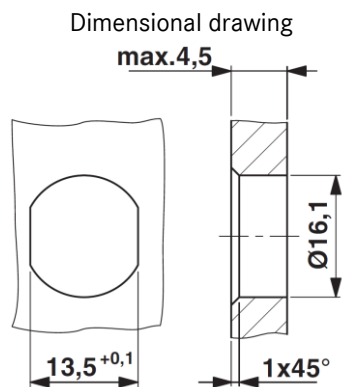
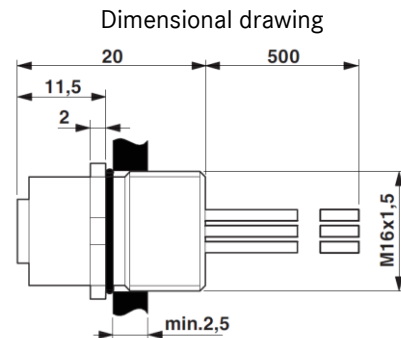
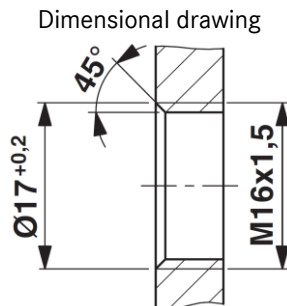
### Line

|   |                              |
|---|------------------------------|
| Cable type                              | TPE litz wire                |
| Conductor, material                     | Tin plated copper litz wires |
| Core insulation, material               | PE                           |
| Conductor diameter including insulation | 1.2 mm                       |
| Conductor cross section                 | 0.34 mm <sup>2</sup>         |
| AWG signal line                         | 22                           |

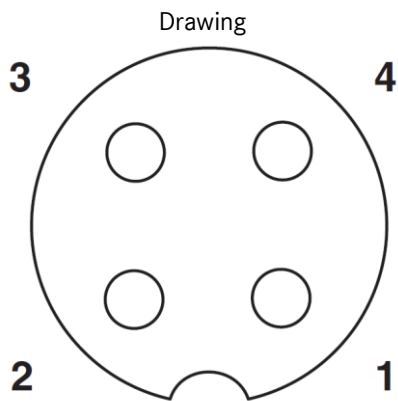
|   |                                       |             |
|---|---------------------------------------|-------------|
| Creator: MOKO2/PDP<br>Released: IVSE1/PDP | Document: DB22260107EN<br>Version: 03 | Page 1 of 2 |
|---|---------------------------------------|-------------|

|                           |                     |   |
|---------------------------|---------------------|---|
| 22260107                  | <b>DATA SHEET</b>   |  |
| Valid from:<br>17.09.2018 | AB-C4-M12FS-M16-0,5 |   |

### Technical drawing



Circuit diagram



### Application range

Connection of enclosures and cabinets

### Note

Photographs are not true to scale and do not represent detailed images of the respective products.

|   |                                       |             |
|---|---------------------------------------|-------------|
| Creator: MOKO2/PDP<br>Released: IVSE1/PDP | Document: DB22260107EN<br>Version: 03 | Page 2 of 2 |
|---|---------------------------------------|-------------|