


61850670	<b>DATA SHEET</b>	
Valid from: 13.04.2026	<b>CABLE TIE HEAVY DUTY</b>	

The CABLE TIE HEAVY DUTY all-purpose cable tie, made from polyamide, is suitable for a wide range of applications thanks to its high tensile strength.

**Material:** Polyamide 6.6

**Technical features:**

Bundle diameter 12 up to 254 mm  
 Band width 12,5 mm  
 Tensile strength 1125 N

**Additional features:**

Fire classification V2 acc. to UL 94

**Temperature range:** -40°C up to +85°C

**Colour:** Black

**Approbation:**



E-File E352714

**Norm Reference:**



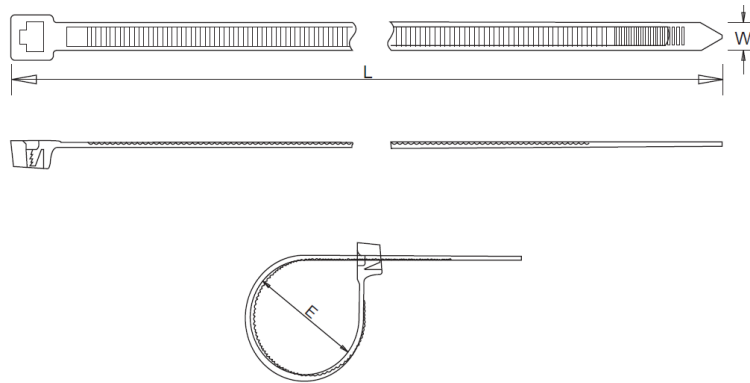
EN 62275

(Cable ties marked with an \* have been tested in accordance with EN 62275)



Creator: PDP Released: PDP	Document: DB61850670EN Version: 00	Page 1 of 2
-------------------------------	---------------------------------------	-------------

61850670	<b>DATA SHEET</b>	
Valid from: 13.04.2026	<b>CABLE TIE HEAVY DUTY</b>	



**Dimension table:**

Part No.	Bundle diameter E mm	Dimensions mm		Tensile strength N
		Length l	Width w	
<b>Naturel</b>				
61850670	12 - 78	300	12,5	1125
61850675	12 - 150	500	12,5	1125
61850680	12 - 190	650	12,5	1125
61850685	12 - 254	890	12,5	1125
<b>Black</b>				
61850690	12 - 78	300	12,5	1125
61850695	12 - 150	500	12,5	1125
61850700	12 - 190	650	12,5	1125
61850705	12 - 254	890	12,5	1125

\* Testing of the maximum loop tensile strength

Please refer to our current catalogue for further details.

Our laboratory will be happy to advise you on resistance to aggressive media or specific oils.

Creator: PDP Released: PDP	Document: DB61850670EN Version: 00	Page 2 of 2
-------------------------------	---------------------------------------	-------------