


61850780	DATA SHEET	
Valid from: 13.04.2026	CABLE TIE CLIP	

The multi-purpose CABLE TIE CLIP made of polyamide, is suitable for a wide range of applications thanks to its high tensile strength.

Material: Polyamide 6.6

Technical features:

Bundle diameter max. 45 mm
 Band width 4,8 mm
 Tensile strength max. 222 N

Additional features:

Fire classification V2 acc. to UL 94

Temperature range: -40°C up to +85°C

Colour: Black

Norm Reference:




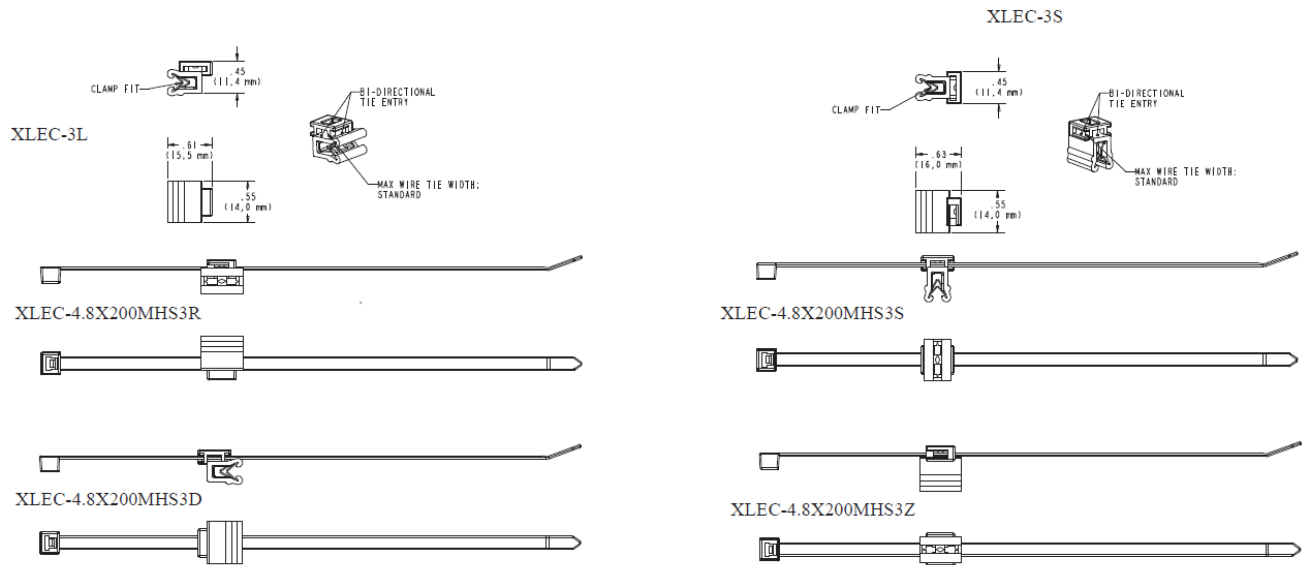
EN 62275

(Cable ties marked with an * have been tested in accordance with EN 62275)



Creator: PDP Released: PDP	Document: DB61850780EN Version: 00	Page 1 of 2
-------------------------------	---------------------------------------	-------------

61850780	DATA SHEET	
Valid from: 13.04.2026	CABLE TIE CLIP	



Dimension table:

Part No.	Cable Tie orientation	Bundle diameter E mm	Dimensions mm		Tensile strength N
			Length l	Width w	
Black					
61850780	-	-	-	-	-
61850785	-	-	-	-	-
61850790	Parallel	45	200	4,8	222
61850795	Perpendicular	45	200	4,8	222
61850800	Parallel	45	200	4,8	222
61850805	Perpendicular	45	200	4,8	222

* Testing of the maximum loop tensile strength

Please refer to our current catalogue for further details.

Our laboratory will be happy to advise you on resistance to aggressive media or specific oils.

Creator: PDP Released: PDP	Document: DB61850780EN Version: 00	Page 2 of 2
-------------------------------	---------------------------------------	-------------