


7433505393	<b>DATA SHEET</b>	
Valid from: 19.02.2026	<b>EPIC® MC08P1LSAB16-24W05</b>	

## Description

- Sensor/actuator with single PVC-wires, unshielded
- M12 panel Connector, A-coding, 8 pin



## Product variations

Article no.	Article description	Type	Length (mm)	Mounting thread	Mounting style
7433505393	EPIC® MC08P1LSAB16-24W05	Plug	500 +20/-5	M16x1.5	Rear wall
7433505489	EPIC® MC08P2LSAB16-24W05	Socket	500 +20/-5	M16x1.5	Rear wall

Other lengths are available on request.

## Connector, general characteristics

Coding	A-Coding
Number of poles / pins	8
Product standard	IEC 61076-2-101 (2024)
Shielded	No
Protection class	IP 67
Pollution degree	3
Ambient temperature (connected)	-25 up to +80°C (Flexible) -40 up to +80°C (Fixed)
Plugging cycles	≥ 100
Tightening torque	Recommended: 0.6 Nm Max: 1 Nm


## Connector, electrical properties

Rated voltage	32V AC / DC
Rated surge voltage	800 V
Rated current	2 A
Insulation resistance	≥ 100 MΩ
Contact resistance of connector	≤ 5 mΩ

## Connector, materials

Contacts- Male connector	Brass, gold plated
Contacts- Female connector	Phosphor, gold plated
Insert	PA66+GF
Threaded part	Brass, nickel plated
Hexagon Nut	Brass, nickel plated
Sealing	FKM

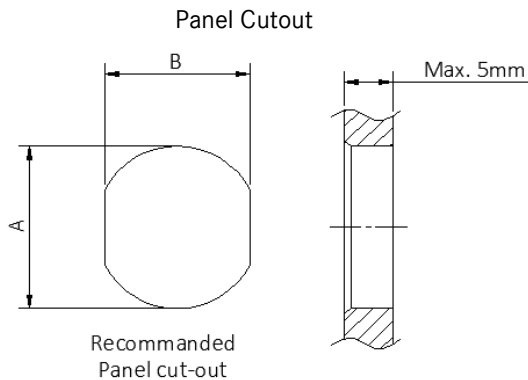
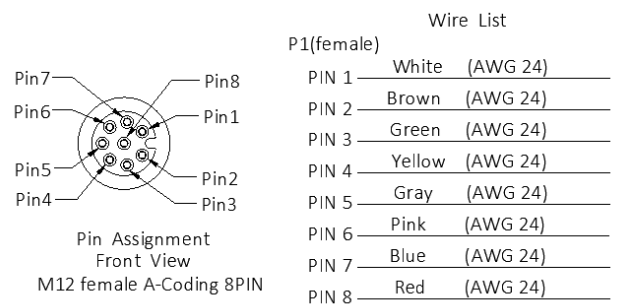
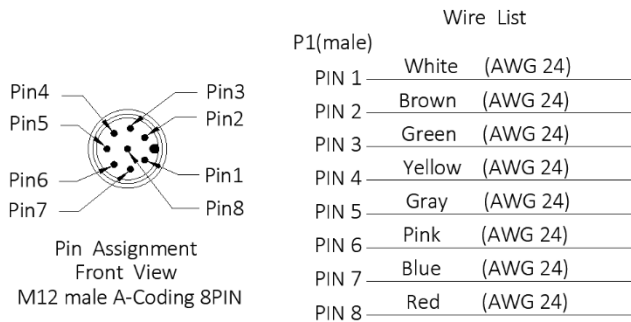
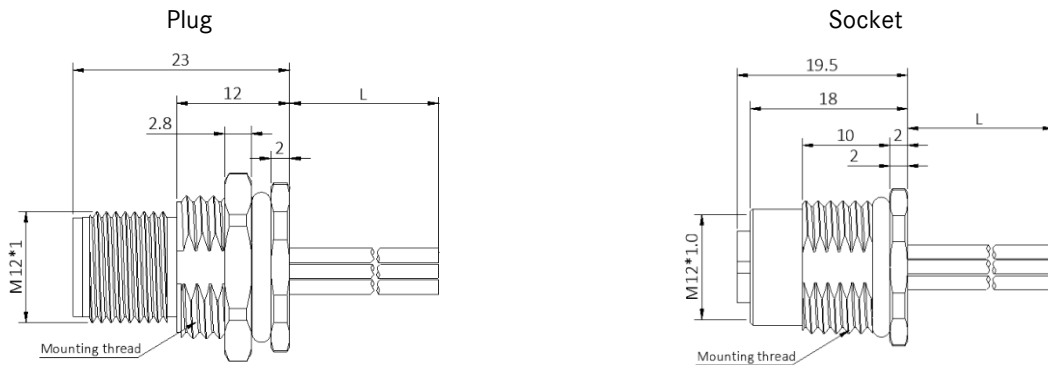
Creator: Drake Long / PDCF Released: SOLI1 / PDCF	Document: DB7433505393EN Version: 00	Page 1 of 2
--	---	-------------

7433505393	<b>DATA SHEET</b>	
Valid from: 19.02.2026	<b>EPIC® MC08P1LSAB16-24W05</b>	

### Cable, general characteristics

AWM style	UL1007
Conductor cross-section	24 AWG (0.25mm <sup>2</sup> )
Number of conductors	8 (1. White 2. Brown 3. Green 4. Yellow 5. Grey 6. Pink 7. Blue 8. Red)
Core outer diameter	1.4 ±0.1mm
Conductor insulation	PVC

### Drawings



Panel side	PG9	M16x1.5
<b>A</b>	15.3+0.1/-0.0	16.1+0.1/-0.0
<b>B</b>	13.5+0.1/-0.0	13.6+0.1/-0.0

### Remark

Photographs are not to scale and do not represent detailed images of the respective products.

Creator: Drake Long / PDCF Released: SOLI1 / PDCF	Document: DB7433505393EN Version: 00	Page 2 of 2
--	---	-------------