


73000004	<b>DATA SHEET</b>	
Valid from: 18.09.2020	<b>EPIC® POWER LS1 D6 5+PE</b>	

## Description

- Circular connectors for servomotors and power supply
- High power at smallest installation space
- Optimal solution for electric motors
- EMC-optimised design
- Safety use in field environment by high protection class



## General Characteristics


Series	POWER LS 1
Version	Cable connector for female contacts
Pin configuration	5+PE
Rated voltage (V)	630 V
Rated impulse voltage	6 kV
Rated current (A)	25 A
Contact resistance	< 4 mOhm
Contacts	Gold plated brass
Number of contacts	5+PE
Termination methods	Crimp termination: 0.5 – 2.5 mm <sup>2</sup> Crimp termination: 4.0 mm <sup>2</sup> (only 44420091)
Protection	IP 68 (latched)
Cycle of mechanical operation	500
Temperature range	-25°C to +125°C
Degree of soiling	3

## Product Variation

Package unit = 20 pcs: Contacts must be ordered separately

Article- Number	Article	Contacts included	Cable clamping range mm	Pin configuration
Type LS1 D6, Cable connector, 6-pin for female contacts				
73000004	LS1 D6	6	8,5 - 11	5+PE
73000006	LS1 D6		8,5 - 11	5+PE
73000005	LS1 D6	6	10,5 - 15,5	5+PE
73000007	LS1 D6		10,5 - 15,5	5+PE
76123000	LS1 D6	6	7,5 - 15,5	5+PE
76123510	LS1 D6		7,5 - 15,5	5+PE
44420091	LS1 D6 mit 2 mm contact for 4 mm <sup>2</sup> termination	6	14 - 17	5+PE
44420090	LS1 D6		14 - 17	5+PE

Creator: STKU3/PDP Released: IVSE1/PDP	Document: DB73000004EN Version: 05	Page 1 of 3
---	---------------------------------------	-------------

73000004	<b>DATA SHEET</b>	
Valid from: 18.09.2020	<b>EPIC® POWER LS1 D6 5+PE</b>	

### Materials and Surfaces

Housing	Nickel-plated zinc die-casting, nickel-plated brass
Insert	PA
Seal	FPM
Contact	Brass
Contact surface	Gold

### Approvals

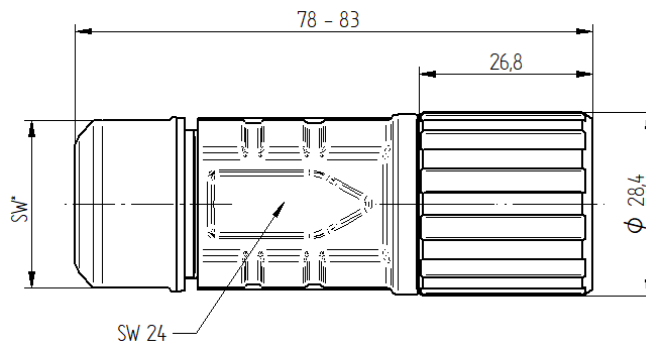
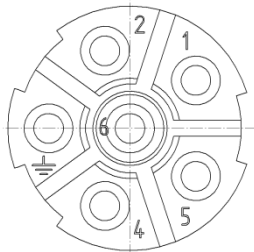
VDE-Approval, VDE-REG.-Nr.	B025
UL-File-Number	E249137

### Standard

Safety Standard IEC 61984, UL 2238, CSA 22.2 182.3



### Technical Drawings



Article number	*Wrench Size
73000004	26
73000006	26
73000005	26
73000007	26
76123000	27
76123510	27
44420091	27
44420090	27



Good chemical resistance




Corrosion-resistant



Industrial machinery and plant engineering

Creator: STKU3/PDP Released: IVSE1/PDP	Document: DB73000004EN Version: 05	Page 2 of 3
---	---------------------------------------	-------------

73000004	<b>DATA SHEET</b>	
Valid from: 18.09.2020	<b>EPIC® POWER LS1 D6 5+PE</b>	



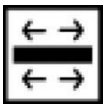
Maximum vibration protection



Mechanical resistance



Assembly time



Optimum strain relief



Space requirement



Robust



Integrated SKINTOP® cable gland



Waterproof



Wind Energy



Variety of approval certifications

#### Application range

Plant engineering

Servo drives and servo assemblies

#### Remark

Photographs are not to scale and do not represent detailed images of the respective products.

Creator: STKU3/PDP Released: IVSE1/PDP	Document: DB73000004EN Version: 05	Page 3 of 3
---	---------------------------------------	-------------