


44420032	DATA SHEET	
Valid from: 28.07.2021	EPIC[®] SIGNAL M23 G4	

Description

- Circular connectors for servo cables and encoders
- Fast and easy assembly
- Only one M25 bore hole necessary



General characteristics

Series	SIGNAL M23
Version	panel-mount box, front wall mounting
Protection rating	IP 68 (10 h / 1 m)
Temperature range	-25 °C to +125 °C

Product variations

Article number	Coding	Fastening type	PU
44420032	black (N)	M25x1,5	5
44420031	black (N)	M25x1,5	20
44420034	red (+20°)	M25x1,5	5
44420033	red (+20°)	M25x1,5	20
44420030	blue (-20°)	M25x1,5	5
44420029	blue (-20°)	M25x1,5	20

Materials and surfaces

Housing	Nickel plated zinc die-casting
Sealing	FPM


Approvals

VDE-Approval, VDE-REG.-Nr.	C024
UL File Number	E249137

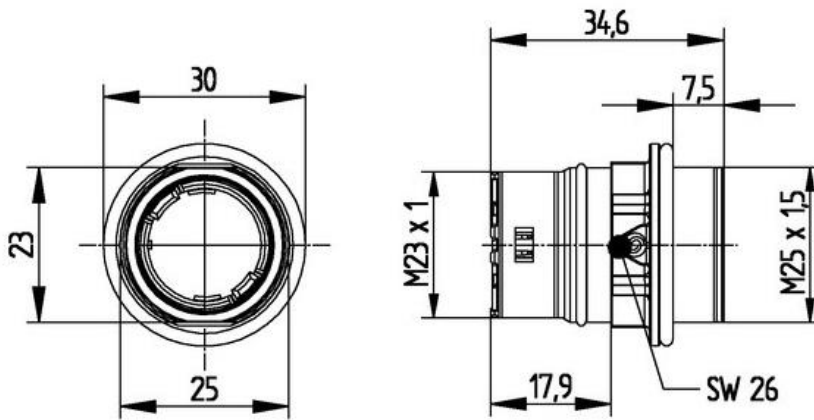
Standard

Safety Standard	IEC 61984; UL2238; CSA 22.2 182.3
-----------------	-----------------------------------

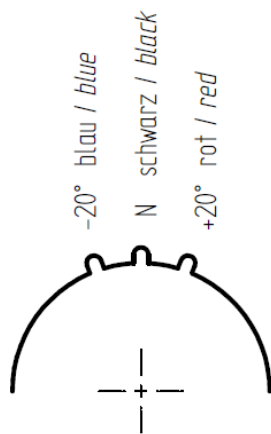
Creator: MANA2/PDP Released: IVSE1/PDP	Document: DB44420032EN Version: 03	Page 1 of 3
---	---------------------------------------	-------------

44420032	DATA SHEET	
Valid from: 28.07.2021	EPIC [®] SIGNAL M23 G4	

Drawings




Coding



G4

Ansicht steckseitig
View from mating side

Creator: MANA2/PDP Released: IVSE1/PDP	Document: DB44420032EN Version: 03	Page 2 of 3
---	---------------------------------------	-------------

44420032	DATA SHEET	
Valid from: 28.07.2021	EPIC[®] SIGNAL M23 G4	



Good chemical resistance



Industrial machinery and plant engineering



Robust



Wind energy

Info

For mounting in existing M25 threads or boreholes

Application range

Plant engineering
 Servo drives and Servo assemblies
 Measurement and control technology

Remark

Photographs are not to scale and do not represent detailed images of the respective products.

Creator: MANA2/PDP Released: IVSE1/PDP	Document: DB44420032EN Version: 03	Page 3 of 3
---	---------------------------------------	-------------