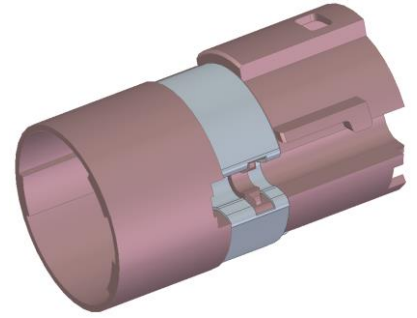


381167802	DATA SHEET	
Valid from: 20.03.2025	EPIC® M23P 8-PIN INSERT MALE RECEPTACLE HV	

Description

- Inserts for circular connectors EPIC® M23P



General features

Series	M23P
Version	Male
Pin configuration	3+PE+4
Rated voltage in V	1000 V (2 mm contacts, height 2000 m)
	optional 630 V (2 mm contacts, height 5000 m)
	250 V (1 mm contacts)
Rated impulse voltage	8 kV (2 mm contacts)
	4 kV (1 mm contacts)
Rated current in A	30 A (2 mm contacts, with terminal cross-section 4.0 mm ²)
	7 A (1 mm contacts)
Contact resistance working contacts	< 4 mOhm
Contact resistance PE contact	< 100 mOhm
Contacts	To be ordered separately
Number of contacts	8 (3+PE+4)
Cable connection	Crimp connection: 0.5 - 4.0 mm ² (2 mm contacts)
	Crimp connection: 0.14 - 1.0 mm ² (1 mm contacts)
Cycles of mechanical operations	500
Temperature range	-20°C to +130°C
	optional -50°C to +130°C (EPDM)
Degree of soiling	3

Materials and surfaces

Contact carrier	PA
Insulating body	PA
PE contact	Copper Alloy

Approvals

UL certification	Approval in pending
------------------	---------------------

Created: IVSE1/BU EPIC Released: Segrt/EPIC BU	Document: DB381167802EN Version: 00	Page 1 from 2
---	--	---------------

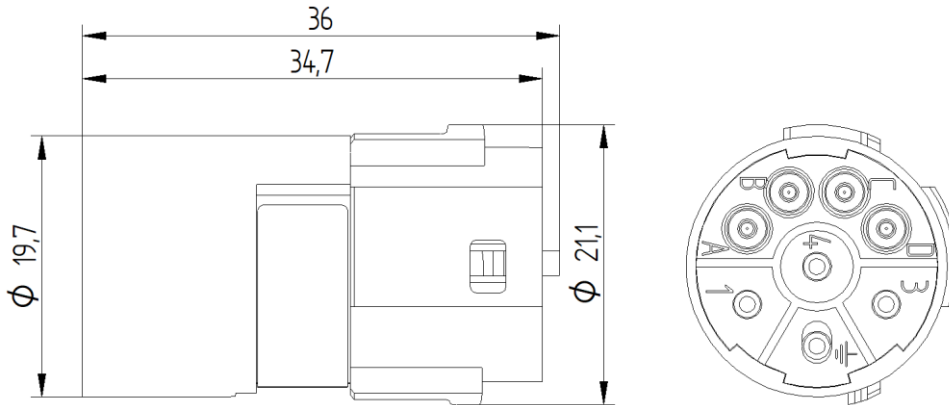
381167802	DATA SHEET	
Valid from: 20.03.2025	EPIC® M23P 8-PIN INSERT MALE RECEPTACLE HV	

Standard

Safety standard

IEC 61984; UL 1977; UL 2238

Technical drawings



Industrial machinery and plant engineering



Mechanical resistance



Robust



Waterproof



Good chemical resistance



Corrosion resistant



Maximum vibration protection



Short assembly time



Space requirement



Wind energy

Remark

The photographs are not true to scale and do not represent detailed images of the respective products.

Created: IVSE1/BU EPIC Released: Segrt/EPIC BU	Document: DB381167802EN Version: 00	Page2 from 2
---	--	--------------