


381167478	DATA SHEET	
Valid from: 14.08.2025	EPIC® H-Q MAG	

Description

- The panel-mount base can be connected to many of the most popular hoods on the market.
- With open base for cable entry into the housing or control cabinet
- Locking takes place via a stainless steel central lever.
- Meets protection class IP 65 when locked.
- Article names with the suffix "EMC" are specially designed for environments in which electromagnetic compatibility (EMC) is required.
- Withstands high environmental and mechanical stress.



General Characteristics

Series	H-Q
Version	Panel mount base
Locking	Central lever
Protection (DIN EN 60529)	IP 65 (latched)
Temperature Range	-40°C to +125°C



Materials / Surfaces


Housing	Zinc die-cast
Surface	See table
Lever	Stainless steel

Standard

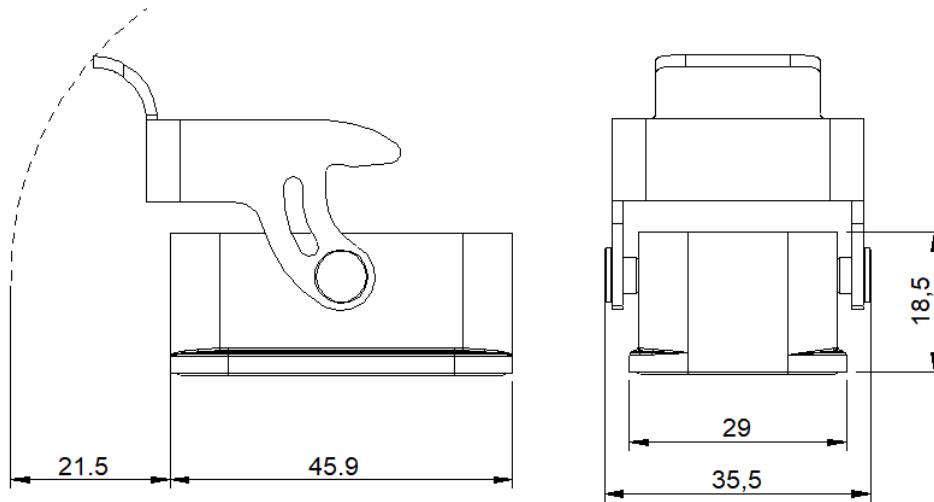
Safety Standard	IEC 61984
-----------------	-----------

Versions

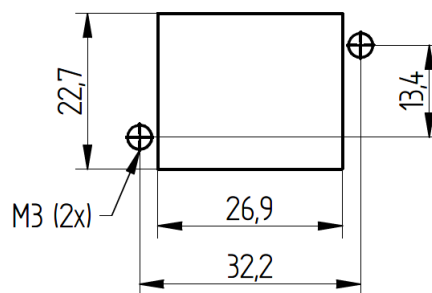
Article number	Article description	Surface
381167478	EPIC® H-Q MAG BK	Powder-coated, black
381167479	EPIC® H-Q MAG EMC	Nickel plated

381167478	DATA SHEET	
Valid from: 14.08.2025	EPIC® H-Q MAG	

Technical Drawings



Panel cut out



UV-resistant



Halogen free



Heat-resistant



Cold-resistant



Interference signal (EMC version)

Application range

For connecting devices and machines to a power supply in various applications. Typical areas of application are electric motors and servo drives.

Remark

Photographs are not to scale and do not represent detailed images of the respective products.

Creator: TODV1/BU EPIC Released: FICE1/BU EPIC	Document: DB381167478EN Version: 02	Page 2 of 2
---	--	-------------