


44420009	DATA SHEET	
Valid from: 28.07.2021	EPIC[®] SIGNAL M23 F7	

Description

- Circular connectors for servo cables and encoders
- Low-resistance screen contact, optimum EMC protection
- Use of high-quality materials for increased reliability



General characteristics

Series	SIGNAL M23
Version	panel-mount connector, front/rear wall mounting
Protection rating	IP 68 (10 h / 1 m)
Temperature range	-25 °C to +125 °C

Product variations

Article no.	Coding	Cable clamping range	Fastening type	PU
44420009	black (N)	7,0-10,0	Ø3,2 mm (4x) M25x1,5 (with nut)	5
44420010	black (N)	7,0-10,0	Ø3,2 mm (4x) M25x1,5 (with nut)	20
44420011	black (N)	9,5-13,5	Ø3,2 mm (4x) M25x1,5 (with nut)	5
44420012	black (N)	9,5-13,5	Ø3,2 mm (4x) M25x1,5 (with nut)	20
44420001	red (+20°)	7,0-10,0	Ø3,2 mm (4x) M25x1,5 (with nut)	5
44420002	red (+20°)	7,0-10,0	Ø3,2 mm (4x) M25x1,5 (with nut)	20
44420003	red (+20°)	9,5-13,5	Ø3,2 mm (4x) M25x1,5 (with nut)	5
44420004	red (+20°)	9,5-13,5	Ø3,2 mm (4x) M25x1,5 (with nut)	20
44420005	blue (-20°)	7,0-10,0	Ø3,2 mm (4x) M25x1,5 (with nut)	5
44420006	blue (-20°)	7,0-10,0	Ø3,2 mm (4x) M25x1,5 (with nut)	20
44420007	blue (-20°)	9,5-13,5	Ø3,2 mm (4x) M25x1,5 (with nut)	5
44420008	blue (-20°)	9,5-13,5	Ø3,2 mm (4x) M25x1,5 (with nut)	20

Materials and surfaces

Housing	Nickel plated zinc die-casting
Sealing	FPM


Approvals

VDE-Approval, VDE-REG.-Nr.	C024
UL File Number	E249137

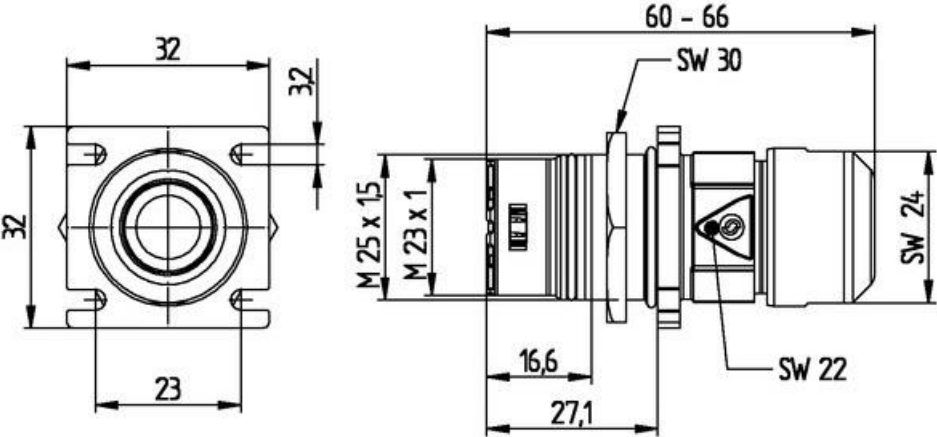
Standard

Safety Standard	IEC 61984; UL2238; CSA 22.2 182.3
-----------------	-----------------------------------

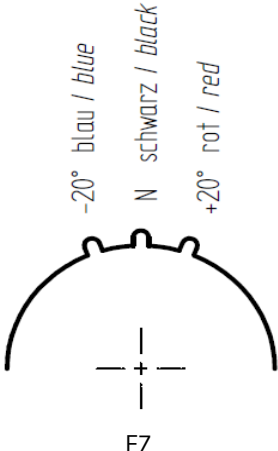
Creator: MANA2/PDP Released: IVSE1/PDP	Document: DB44420009EN Version: 03	Page 1 of 3
---	---------------------------------------	-------------

44420009	DATA SHEET	
Valid from: 28.07.2021	EPIC [®] SIGNAL M23 F7	

Drawings



Coding




Ansicht steckseitig
view from mating side



Creator: MANA2/PDP Released: IVSE1/PDP	Document: DB44420009EN Version: 03	Page 2 of 3
---	---------------------------------------	-------------

We reserve all rights according to DIN ISO 16016.
PD 0019/05_04.18EN

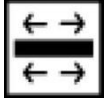
44420009	DATA SHEET	
Valid from: 28.07.2021	EPIC[®] SIGNAL M23 F7	



Good chemical resistance



Industrial machinery and plant engineering



Optimum strain relief



Robust



Integrated SKINTOP[®] cable gland



Wind energy

Application range

Plant engineering

Servo drives and Servo assemblies

Measurement and control technology

Remark

Photographs are not to scale and do not represent detailed images of the respective products.

Creator: MANA2/PDP Released: IVSE1/PDP	Document: DB44420009EN Version: 03	Page 3 of 3
---	---------------------------------------	-------------