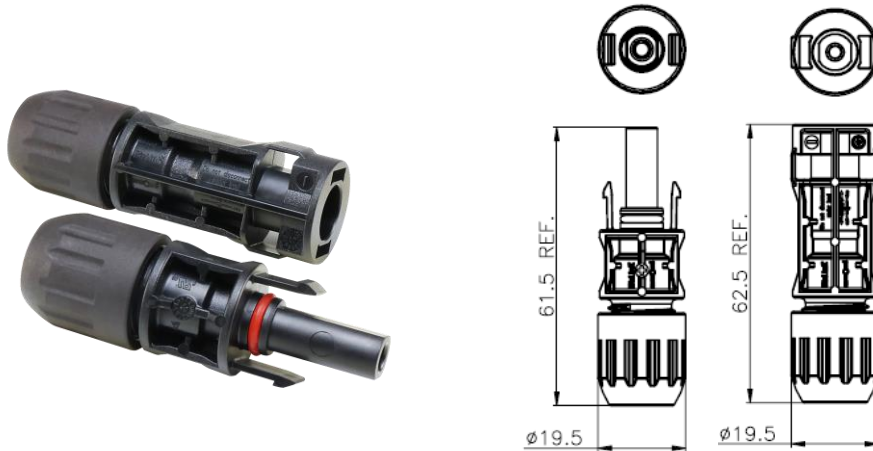


8100575	DATA SHEET	
Valid from: 10.10.2022	Solar Field Mount Connectors R Type	

<https://lappapac.lappgroup.com>



Drawing for illustration only and may not represent the detailed image of the respective product.

1. **Approvals** : TUV / UL

2. **Technical Data**

2.1. Connector type	: Outward lock, snap-in type
2.2. Voltage rating	: TUV / UL 1500V
2.3. Current rating	: TUV 70A / UL 50A
2.4. Contact resistance	: typ. $\leq 0.3\text{m}\Omega$
2.5. Rated impulse voltage	: 16kV (TUV)
2.6. Degree of protection	: IP68 (1m, 24h)
2.7. Housing material	: PPE (thermoplastic)
2.8. Plating	: Tin
2.9. For cable cross section/AWG	: TUV 2.5/4.0/6.0/10mm ² UL 14/12/10/8AWG
2.10. Cable diameter	: 4.5mm to 8.8mm
2.11. Flammability class	: UL94V0
2.12. Ambient Temperature	: -40°C to + 90°C



Elaborated by:BOLE / PM Released by: BEKR / PM	Document: SDB8100575 Version: 03	Page 1 of 4
---	-------------------------------------	-------------

This data sheet and its contents belong to LAPP Asia Pacific Pte Ltd. Neither the whole nor any part of the information contained in this data sheet may be adapted or reproduced without prior written consent. Although LAPP Asia Pacific Pte Ltd makes every effort to ensure accuracy at time of publication, information and specifications contained herein are subject to error or omission, and to changes without notice. Users of this data sheet shall check for themselves the information and the suitability of the products for their purpose and not make any assumptions based on information included or omitted.

8100575	DATA SHEET	
Valid from: 10.10.2022	Solar Field Mount Connectors R Type	

<https://lappapac.lappgroup.com>

3. Article Data

LAP Article No	Manufacturer Ref	Description
8100575	S418-R1A-001	FIELD MOUNT CONN F 4-6 SQ MM CABLE OD 4.5- 7.2MM
8100576	S418-R2A-001	FIELD MOUNT CONN M 4-6 SQ MM CABLE OD 4.5- 7.2MM
8100577	S418-R1D-001	FIELD MOUNT CONN F 10 SQ MM CABLE OD 4.5- 7.2MM
8100578	S418-R2D-001	FIELD MOUNT CONN M 10 SQ MM CABLE OD 4.5- 7.2MM
8100746	S418-R1D-002	FIELD MOUNT CONN F 10 SQ MM CABLE OD 7.21-8.8MM
8100747	S418-R2D-002	FIELD MOUNT CONN M 10 SQ MM CABLE OD 7.21-8.8MM
TOOLS		
8100582	335000329	 CRIMP TOOL FOR 2.5, 4 & 6 MM ² CONN
8100579	335000413	 CRIMP TOOL FOR 10 MM ² R-TYPE

Elaborated by:BOLE / PM
Released by: BEKR / PM



Document: SDB8100575
Version: 03

Page 2 of 4

This data sheet and its contents belong to LAPP Asia Pacific Pte Ltd. Neither the whole nor any part of the information contained in this data sheet may be adapted or reproduced without prior written consent. Although LAPP Asia Pacific Pte Ltd makes every effort to ensure accuracy at time of publication, information and specifications contained herein are subject to error or omission, and to changes without notice. Users of this data sheet shall check for themselves the information and the suitability of the products for their purpose and not make any assumptions based on information included or omitted.

8100575	DATA SHEET	
Valid from: 10.10.2022	Solar Field Mount Connectors R Type	

<https://lappapac.lappgroup.com>

		CONN
8100580	335000903	 WRENCH TOOL FOR R-TYPE CONN
8100581	112G0-007328-R1	 MULTI-FUNCTION TOOL FOR R-TYPE CONN

Note: LAPP is a distributor and not the manufacturer of the products listed in this document.

Elaborated by:BOLE / PM Released by: BEKR / PM	Document: SDB8100575 Version: 03	Page 3 of 4
---	-------------------------------------	-------------

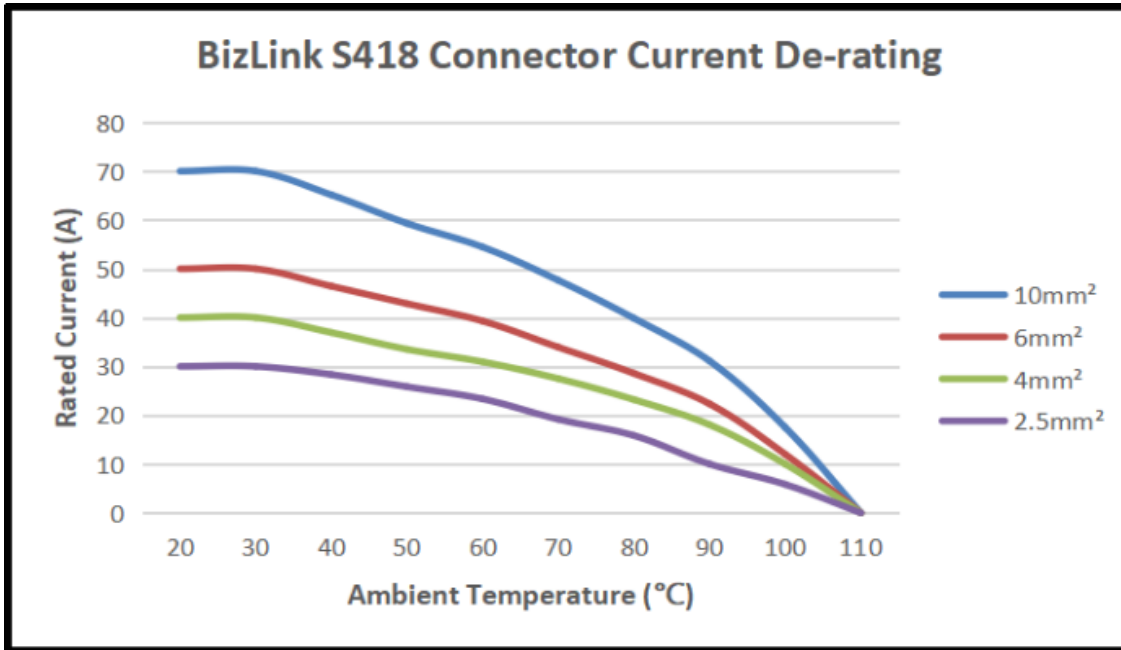
This data sheet and its contents belong to LAPP Asia Pacific Pte Ltd. Neither the whole nor any part of the information contained in this data sheet may be adapted or reproduced without prior written consent. Although LAPP Asia Pacific Pte Ltd makes every effort to ensure accuracy at time of publication, information and specifications contained herein are subject to error or omission, and to changes without notice. Users of this data sheet shall check for themselves the information and the suitability of the products for their purpose and not make any assumptions based on information included or omitted.

8100575	DATA SHEET	
Valid from: 10.10.2022	Solar Field Mount Connectors R Type	

<https://lappapac.lappgroup.com>

4. Current Derating Curve

The current capacity is evaluated according to IEC60512-5-2:2002, operation current of the connector is limited by ambient temperature, over specification to use might bring high risk quality issue.



Elaborated by:BOLE / PM Released by: BEKR / PM	Document: SDB8100575 Version: 03	Page 4 of 4
---	-------------------------------------	-------------

This data sheet and its contents belong to LAPP Asia Pacific Pte Ltd. Neither the whole nor any part of the information contained in this data sheet may be adapted or reproduced without prior written consent. Although LAPP Asia Pacific Pte Ltd makes every effort to ensure accuracy at time of publication, information and specifications contained herein are subject to error or omission, and to changes without notice. Users of this data sheet shall check for themselves the information and the suitability of the products for their purpose and not make any assumptions based on information included or omitted.