


53113800	<b>DATA SHEET</b>	
Valid from: 10.04.2026	<b>SKINTOP® HEAT (XL)</b>	

SKINTOP® HEAT (XL) is a cable and wire entry made of nickel-plated brass with an FKM seal, which enables excellent surface pressure. It is particularly suitable for permanent use at high ambient temperatures up to 200°C.



### Components:

Gland Body	Brass, nickel plated
Cap nut	Brass, nickel plated
Seal (without lamellar cage)	FKM
O-Ring:	FKM


### Technical features:

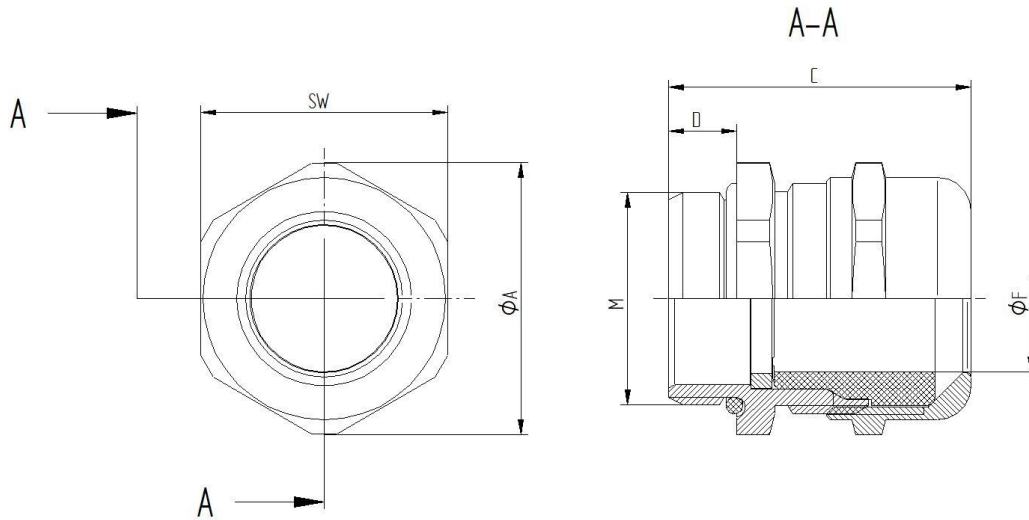
Connecting thread	M 12x1,5 up to M 63x1,5 in acc. to DIN 60423, table 1
Connecting thread XL	M 12x1,5 up to M 50x1,5 in acc. to DIN 60423, table 1
IP- protection	IP 68 - 3 bar/30min in acc. to EN 60529
SHEAT relief	cat. A in acc. to DIN EN 62444
Temperature range	Dynamic -20°C up to +200°C Static -40°C up to +200°C

### Norm



Creator: THSC6 / PDP Released: DAMU1 / PDP	Document: DB53113900EN Version: 00	Page 1 of 2
---	---------------------------------------	-------------

53113800	<b>DATA SHEET</b>	
Valid from: 10.04.2026	<b>SKINTOP® HEAT (XL)</b>	



SKINTOP HEAT

Thread	SW	ØA	C max.	D	Clamping range ØF	O-Ring	PartNo.
M12x1,5	16	17,6	25,5	6,5	3,5 – 6,5	9x2	53113900
M16x1,5	20	22	30	7	6,0 – 9,5	13x2	53113901
M20x1,5	24	26,4	33	8	8,0 – 12,0	17x2	53113902
M25x1,5	29	31,9	35	8	12,0 – 16,0	22x2	53113903
M32x1,5	36	39,6	41,5	9	13,0 – 20,0	28x2	53113904
M40x1,5	45	49,5	47	9	19,0 – 27,0	36x2	53113905
M50x1,5	54	59	52	10	27,0 – 34,0	46x2	53113906
M63x1,5	67	73,5	60	15	34,0 – 44,0	57x2	53113907

**SKINTOP® HEAT XL**

Thread	SW	ØA	C max.	D	Clamping range ØF	O-Ring	PartNo.
M12x1,5	16	17,6	32	12	3,5 – 6,5	9x2	53113910
M16x1,5	20	22	38	12	6,0 – 9,5	13x2	53113911
M20x1,5	24	26,4	41	12	8,0 – 12,0	17x2	53113912
M25x1,5	29	31,9	42,5	12	12,0 – 16,0	22x2	53113913
M32x1,5	36	39,6	51,5	15	13,0 – 20,0	28x2	53113914
M40x1,5	45	49,5	54	15	19,0 – 27,0	36x2	53113915
M50x1,5	54	59	60,5	15	27,0 – 34,0	46x2	53113916

For more information, please see our current catalogue. Please do not hesitate to contact our laboratory if there are any questions regarding resistance against aggressive agents and special oil.

Creator: THSC6 / PDP Released: DAMU1 / PDP	Document: DB53113900EN Version: 00	Page 2 of 2
---	---------------------------------------	-------------