


| | | |
|---------------------------|------------------------|---|
| 61850600 | DATA SHEET |  |
| Valid from: 13.04.2026 | CABLE TIE SOLAR | |

The CABLE TIE SOLAR all-purpose cable tie, made from polyamide, is suitable for outdoor use thanks to its high tensile strength.

Material: Polyamide 6.6

Technical features:

Bundle diameter 2 up to 155 mm
 Band width 2,5 up to 7,6 mm
 Tensile strength 80 up to 530 N

Additional features:

Fire classification V2 acc. to UL 94
 UV Resistance 1000h acc.to ISO 4892-2

Temperature range: -40°C up to +85°C

Colour: Black

Approbation:



E-File E352714

Norm Reference:




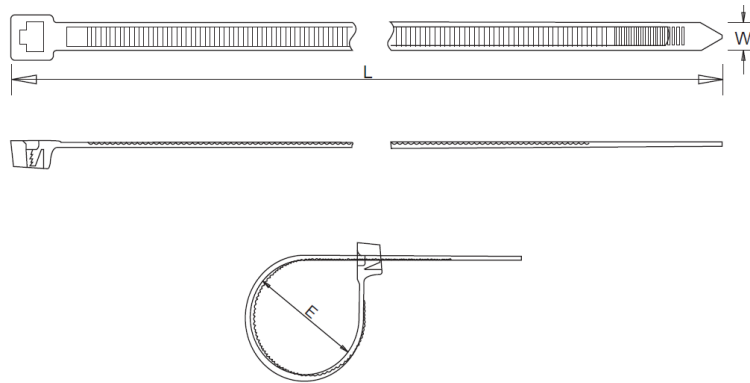
EN 62275

(Cable ties marked with an * have been tested in accordance with EN 62275)



| | | |
|-------------------------------|---------------------------------------|-------------|
| Creator: PDP Released: PDP | Document: DB61850600DE Version: 00 | Page 1 of 2 |
|-------------------------------|---------------------------------------|-------------|

| | | |
|---------------------------|------------------------|---|
| 61850600 | DATA SHEET |  |
| Valid from: 13.04.2026 | CABLE TIE SOLAR | |



Dimension table:

| Part No. | Bundle diameter E mm | Dimensions mm | | Tensile strength N |
|--------------|----------------------------|------------------|---------|-----------------------|
| | | Length l | Width w | |
| Black | | | | |
| 61850600 | 2 - 11 | 100 | 2,5 | 80 |
| 61850605 | 2 - 39 | 160 | 2,5 | 80 |
| 61850610 | 2 - 50 | 200 | 2,5 | 80 |
| 61850615 | 3 - 33 | 140 | 3,6 | 180 |
| 61850620 | 3 - 50 | 200 | 3,6 | 180 |
| 61850625 | 3 - 85 | 300 | 3,6 | 180 |
| 61850630 | 3 - 50 | 200 | 4,8 | 222 |
| 61850635 | 3 - 83 | 300 | 4,8 | 222 |
| 61850640 | 3 - 102 | 380 | 4,8 | 222 |
| 61850645 | 4 - 101 | 380 | 7,6 | 530 |
| 61850650 | 4 - 155 | 550 | 7,6 | 530 |

* Testing of the maximum loop tensile strength

Please refer to our current catalogue for further details.

Our laboratory will be happy to advise you on resistance to aggressive media or specific oils.

| | | |
|-------------------------------|---------------------------------------|-------------|
| Creator: PDP Released: PDP | Document: DB61850600DE Version: 00 | Page 2 of 2 |
|-------------------------------|---------------------------------------|-------------|