

53110020	DATA SHEET	
Valid from: 30.03.2026	SKINTOP® CLEAN	

SKINTOP® CLEAN For maximum process reliability when it matters most: this cable gland combines minimal particle emission, microbial material protection and a white surface for quick contamination detection. It sets standards in sensitive areas, ideal for clean rooms up to ISO Class 1, dry rooms and the food and beverage industry.



Material:

Gland Body & Cap Nut

Polyamide – Regulation 1935/2004,
Regulation 2023/2006
and Regulation 10/2011

Sealing & O-ring

Silicon – Conform acc. to FDA 21 CFR 177.2600

Technical features:

Connecting thread

M12x1,5 bis M40x1,5 acc. to EN 60423

Protection degree

IP66 acc. to DIN EN 60529
IP68 (5bar / 30min) acc. to DIN EN 60529

Strain relief

Category Kat. A acc. to EN 62444

Impact category

Category 2 acc. to EN 62444

Temperature range

-20°C up to +100°C

Additional features:

Fire classification

V-2 acc.to IEC 60695-11-10

Clean room classification

ISO1 acc.to EN14644-1/-14 (tested M25x1,5)

Resistance to bacteria

Resistant acc. to DIN EN ISO 846 Method C

Medium resistant to

Deionised water, P3-topax 990, Topactive 200, Topactive 500,
P3-topax 66, P3-topactive OKTO

Colour:

White / Blue

Approvals:



Reference standards:



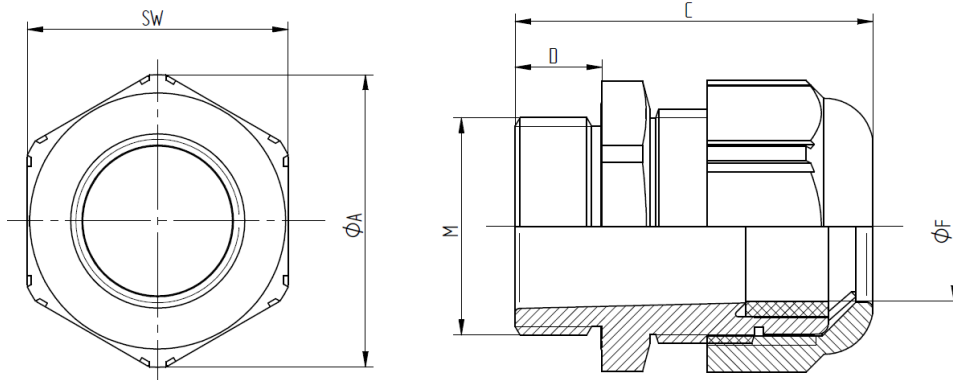
DIN EN 62444

For more information please see our current catalogue. Please do not hesitate to contact our laboratory if there are any questions regarding resistance against aggressive agents and special oil.

Creator: PDP Released: PDP	Document: DB53110020EN Version: 00	Page 1 of 2
-------------------------------	---------------------------------------	-------------

53110020	DATA SHEET	
Valid from: 30.03.2026	SKINTOP® CLEAN	

Drawing:



Dimension Table:

M	SW [mm]	Ø A [mm]	C [mm]		D [mm]	Ø F [mm] Clamping Range	O-Ring [mm]	Part No.
			min.	max.				NAT
M12x1,5	15	16,6	26,5	30,0	8	4,5 - 6	-	53110020
M16x1,5	19	21,1	29,0	34,0	8	7,5 - 9	-	53110021
M20x1,5	25	27,6	34,0	38,0	9	8,5 - 12	-	53110022
M25x1,5	30	33,6	35,0	40,0	10	11 - 17	-	53110023
M32x1,5	36	40,3	39,0	47,0	10	13 - 21	28 x 2	53110024
M40x1,5	46	51,6	43,0	52,0	10	15 - 28	36 x 2	53110025